



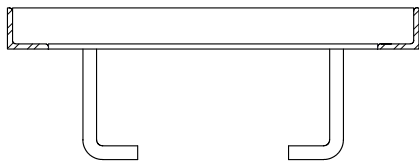
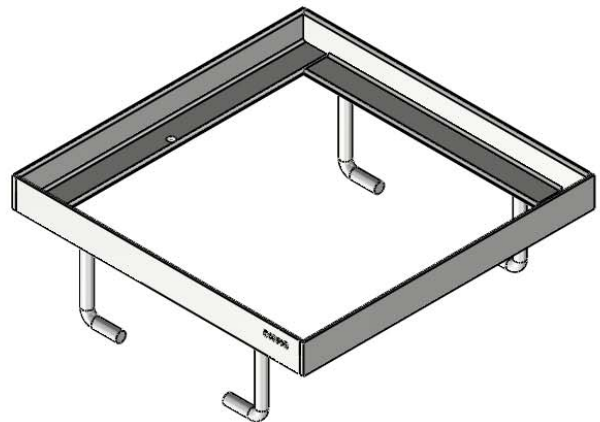
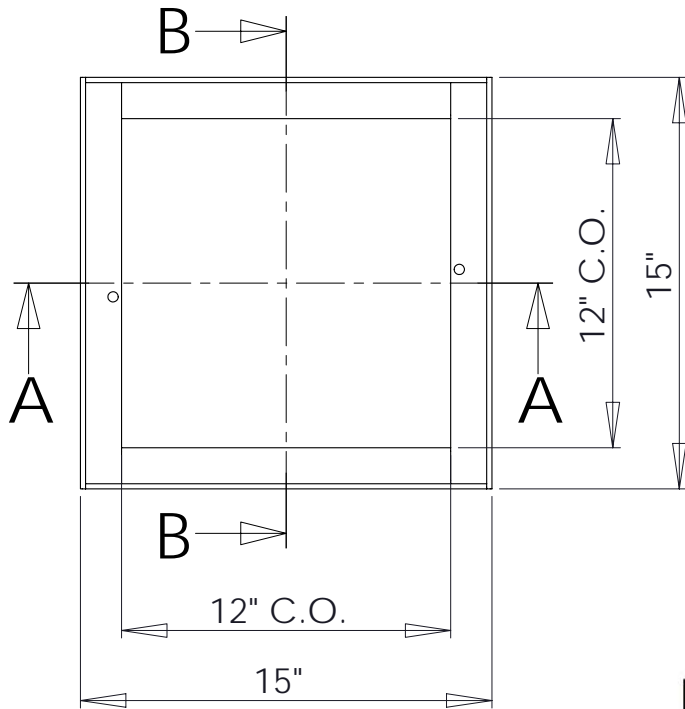
# South Bay Foundry

WWW.SOUTHBAYFOUNDRY.COM

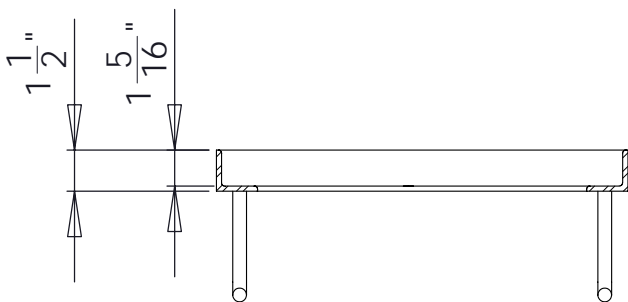
PHONE: (619) 956-2780 FAX: (619) 956-2788

## E1080G

12x12 M TR FRAME



### SECTION A-A



### SECTION B-B

<b>WEIGHT</b>
11 LB

#### GENERAL INFORMATION

\*MATERIAL: STEEL ASTM A36  
 \*FINISH: HOT DIP GALVANIZED ASTM A123

#### APPROVED

BY:

TITLE:

AGENCY:

DATE: